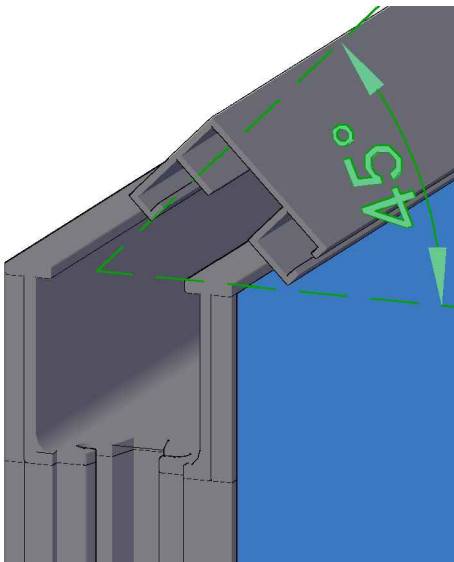


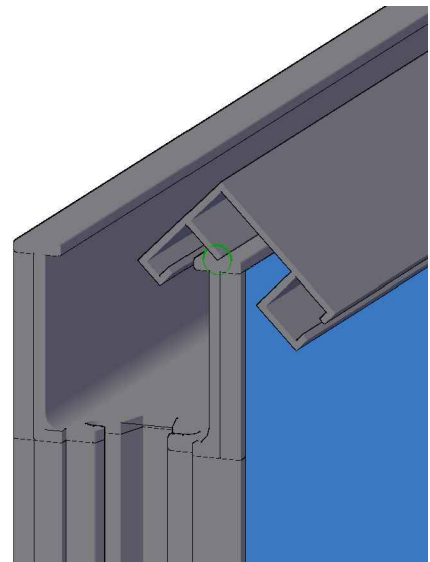
## 1. Mounting instruction for picture rail (order number 11.100.001)

1.1



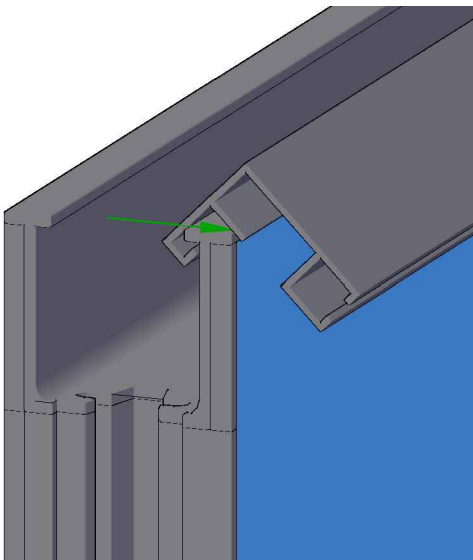
Tilt the picture rail to around 45°.

1.2



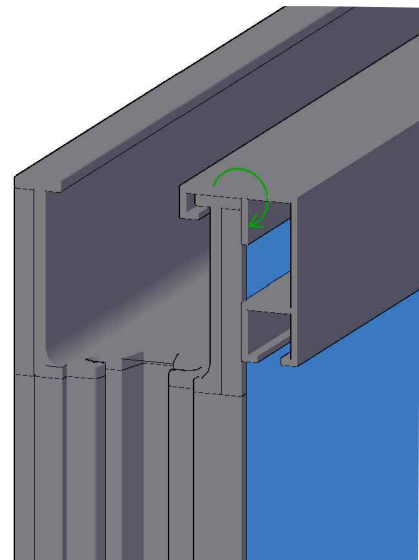
Place the tilted picture rail on the lip of the U-profil.

1.3



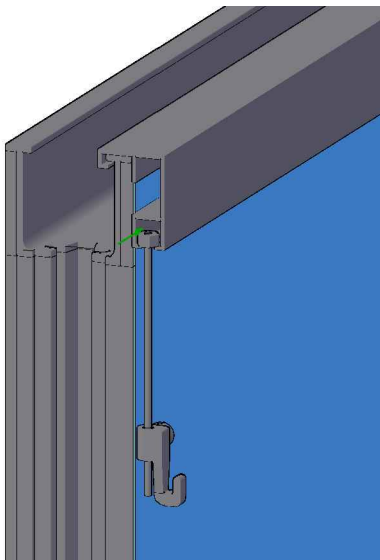
Move the picture rail forward until the slot grabs into lip.

1.4



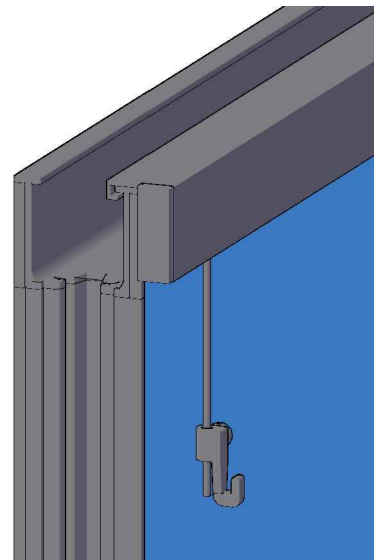
Then the picture rail rotates and aligns itself to the surface of Mila-Wall.

1.5



Insert the desired picture rail accessories.

1.6



Use the end cover plate to secure the accessories.